

INCREASED SAFETY

EFXE Series - Copper free aluminium low thickness



Push button stations EFXE Series, made of aluminium with low content of copper, are manufactured by using aluminium enclosures AQ./AR.. Series. They are designed to meet the requirements for use ON and OFF-SHORE, in petrochemical and marine applications and for any other industry where an explosive atmosphere may be present.

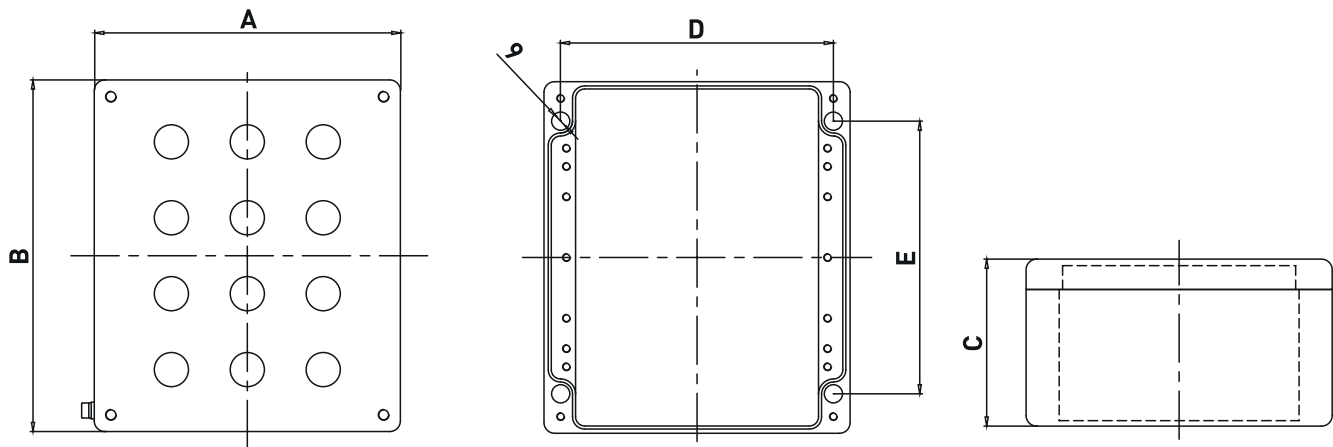
They can be equipped with following Ex de certified components:

- Standard and emergency push buttons;
- Rotating switches;
- Signalling lamps;
- Measurement instruments.

TECHNICAL FEATURES

Material	Aluminium with low content of copper
IP rating	IP65/IP66
Ambient temperature range	-50°C to +60°C (ATEX) -50°C to +95°C (IECEX)
Approvals	IMQ 08 ATEX 028X IECEX IMQ 15.0002X TR CU
Marking	II 2 GD Ex de IIC T(**) Gb/Ex mb IIC T(**) Gb Ex tb IIIC T(**) Db IP65/66 ** T6/T85°C, T5/T100°C, T4/T135°C
Surface treatment	Standard with polyester powder coating RAL 7001
Standard certificate label	Made by self adhesive UV and corrosion resistant polyester, approved by certified Laboratory.
Optional accessories	Hinges Drain/breather valve Traffolyte/Stainless steel certificate label Internal mounting plate Passing through earth bolt

Dimensions EFXE



EFXE Series - Aluminium push button stations

TYPE	DIMENSIONS [mm]					WEIGHT [Kg]
	A	B	C	E	F	
EFXE-0818	80	175	80	52	162	
EFXE-0825	80	250	80	51	237	
EFXE-1015	100	150	80	64	134	
EFXE-1010	100	100	81	66	86	0,62
EFXE-1212	120	122	81	83	106	0,94
EFXE-1222	120	220	90	82	204	1,43
EFXE-1616	160	160	90	110	140	1,5
EFXE-1624	160	240	100	123	225	
EFXE-1636	160	360	91	110	340	
EFXE-2023	202	232	110	180	180	2,44
EFXE-2328	230	280	110	181	261	2,99
EFXE-2333	231	331	120	177	311	

For complete push button stations is necessary to ask to the Sales Office.